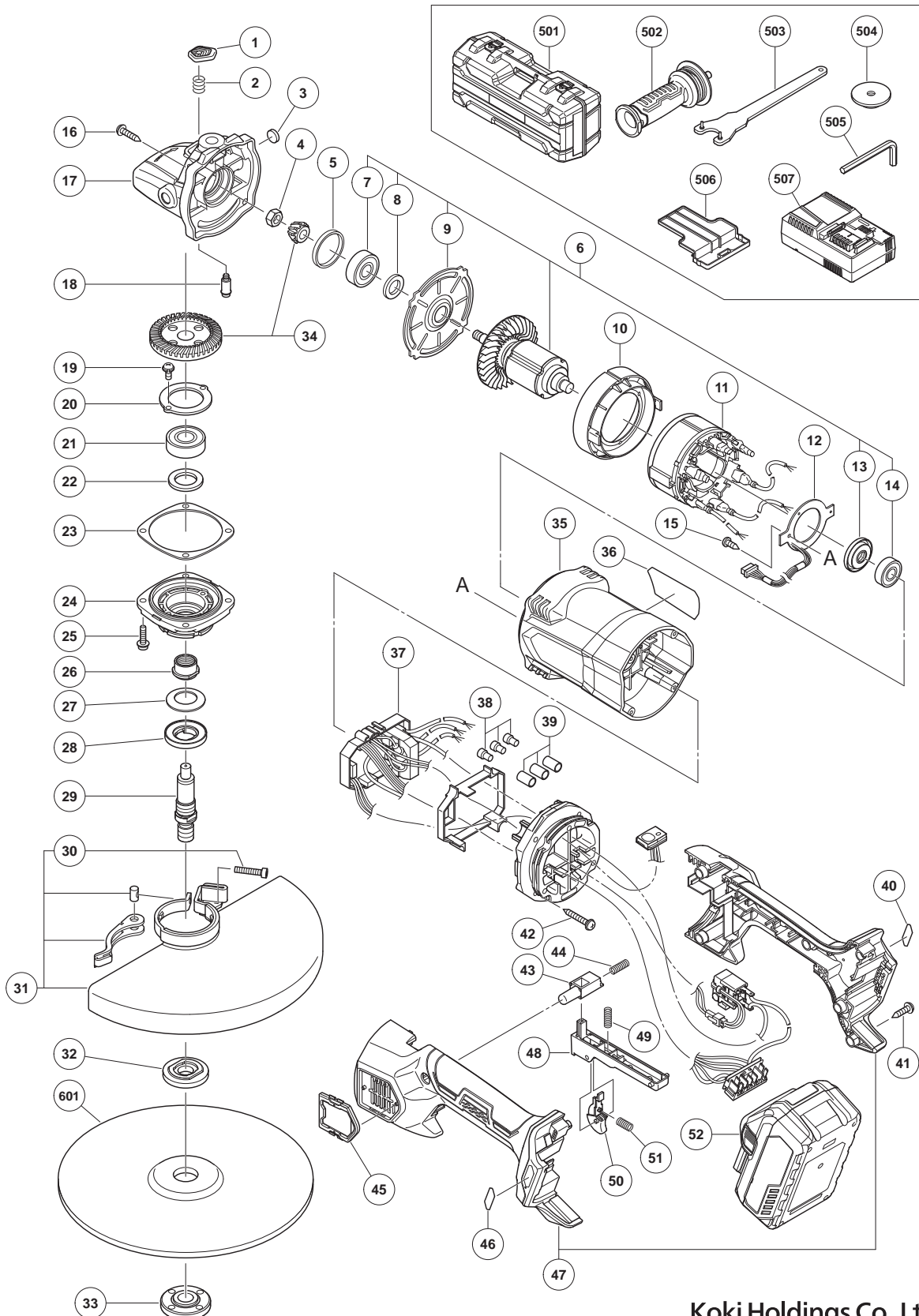


# ELECTRIC TOOL PARTS LIST

## ■ CORDLESS DISC GRINDER Model G 3623DA

2018-12-7  
(E1)



## PARTS

G 3623DA

ITEM NO.	CODE NO.	DESCRIPTION	NO. USED	REMARKS
1	337641	PUSHING BUTTON	1	
2	320219	SPRING	1	
3	315049	FELT WASHER	1	
4	949568	LOCK NUT M8 (10 PCS.)	1	
5	373942	RUBBER RING	1	
6	361098	ROTOR (A) ASS'Y	1	INCLUD.7-9,13,14
7	6201VV	BALL BEARING 6201VV	1	
8	373928	FELT PACKING (A)	1	
9	373927	BEARING HOLDER	1	
10	373943	FAN GUIDE	1	
11	341013	STATOR	1	
12	374376	SENSOR PCB (A)	1	
13	373929	DUST SEAL	1	
14	6000VV	BALL BEARING 6000VVCMP2L	1	
15	306945	TAPPING SCREW D3 X 10	1	
16	305558	TAPPING SCREW (W/FLANGE) D5 X 25 (BLACK)	4	
17	373935	GEAR COVER ASS'Y	1	INCLUD.1-3,18
18	374367	LOCK PIN	1	
19	987201	SEAL LOCK SCREW (W/SP. WASHER) M4 X 10	2	
20	373939	BEARING COVER	1	
21	6202VV	BALL BEARING 6202VVCMP2L	1	
22	373938	FELT PACKING (B)	1	
23	374372	SEAL PLATE	1	
24	373937	PACKING GLAND	1	
25	998485	HEX. SOCKET HD. BOLT (W/FLANGE) M5 X 14	4	
26	374604	SLEEVE	1	
27	374370	BELLEVILLE SPRING	1	
28	374369	SUPPORT BODY (C)	1	
29	374605	SPINDLE	1	
30	949662	HEX. SOCKET HD. BOLT M5 X 25 (10 PCS.)	1	
31	374311	WHEEL GUARD ASS'Y	1	INCLUD.30
32	374314	WHEEL WASHER (E)	1	
33	373779	WHEEL NUT M14 X 2	1	
34	373940	GEAR AND PINION SET	1	
35	374312	HOUSING	1	
36		NAME PLATE	1	
37	374457	HOLDER WIRING SET	1	
38	959141	CONNECTOR 50092 (10 PCS.)	3	
39	374969	SUMI TUBE	3	
40	373914	MV LABEL (B)	1	
41	305812	TAPPING SCREW (W/FLANGE) D4 X 16 (BLACK)	6	
42	305490	TAPPING SCREW (W/FLANGE) D4 X 30 (BLACK)	4	
43	374295	KNOB	1	
44	374300	SPRING (C)	1	
45	373936	FILTER	2	
46	373913	MV LABEL (A)	1	
47	374456	HANDLE (A).(B) SET	1	
48	374454	TRIGGER	1	
49	374606	SPRING (D)	1	
50	374296	LEVER	1	

**PARTS**

G 3623DA

ITEM NO.	CODE NO.	DESCRIPTION	NO. USED	REMARKS		
51	374299	SPRING (B)	1			
*	52	372120	BATTERY BSL 36B18 (EUROPE,AUS,NZL)	2	INCLUD.506	
*	52	373659	BATTERY BSL 36B18 (CHN)	2	INCLUD.506	

**STANDARD ACCESSORIES**

ITEM NO.	CODE NO.	DESCRIPTION	NO. USED	REMARKS	
501	374409	CASE	1		
502	336865	SIDE HANDLE	1		
503	325491	WRENCH	1		
504	374455	CLAMP NUT	1		
505	944458	HEX. BAR WRENCH 4MM	1		
506	329897	BATTERY COVER	2		
507		CHARGER (MODEL UC 18YSL3)	1		

**OPTIONAL ACCESSORIES**

ITEM NO.	CODE NO.	DESCRIPTION	NO. USED	REMARKS	
601	316825	D. C. WHEELS 230MM A24R (25 PCS.)	1		