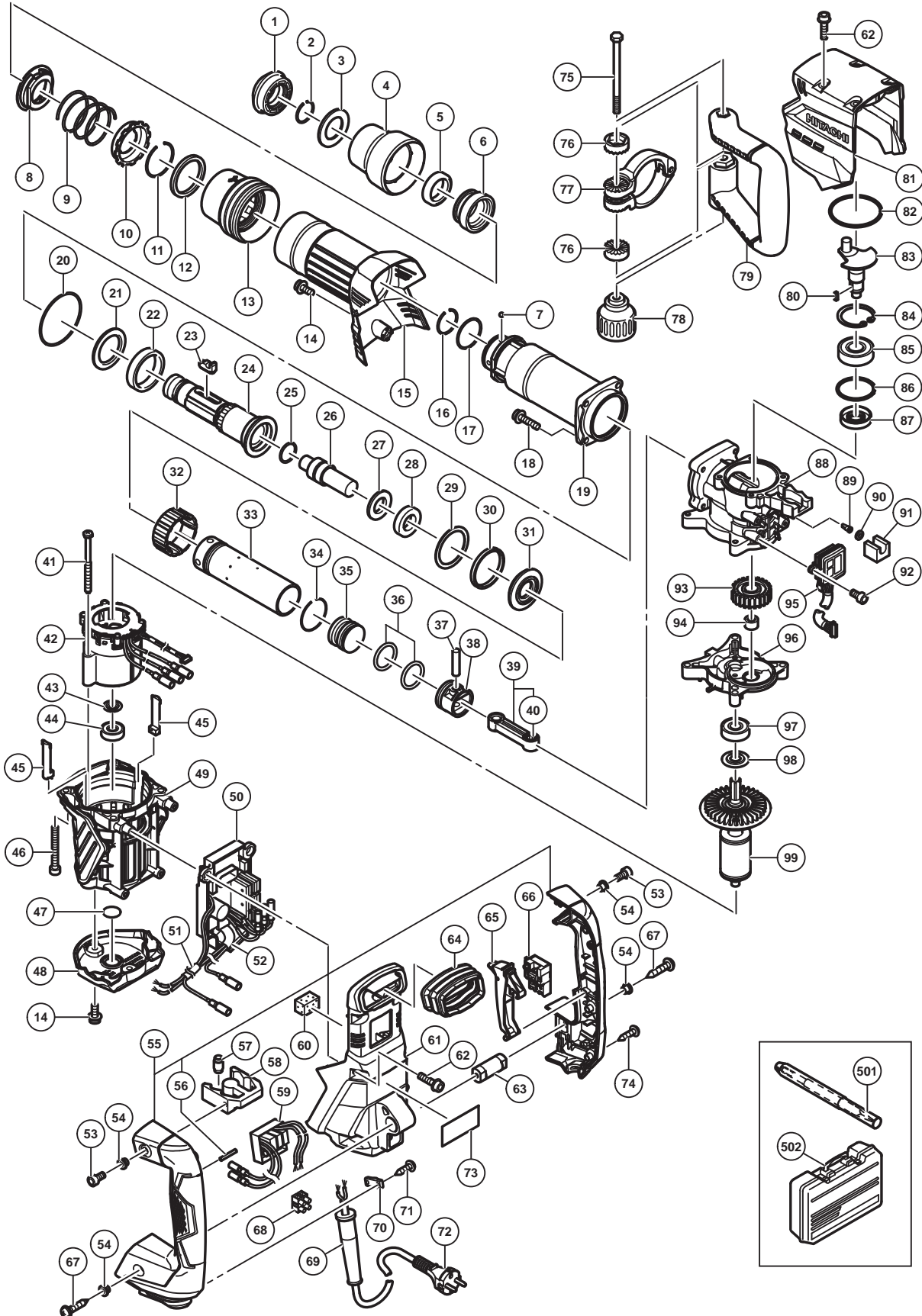


ELECTRIC TOOL PARTS LIST

DEMOLITION HAMMER Model H 45ME

2016-6-2
(E1)



PARTS

H 45ME

ITEM NO.	CODE NO.	DESCRIPTION	NO. USED	REMARKS
1	337562	FRONT CAP	1	
2	318590	STOPPER RING	1	
3	370172	RETAINER WASHER	1	
4	370173	GRIP	1	
5	339053	RETAINER DAMPER (A)	1	
6	337558	BIT LOCK HOLDER	1	
7	370239	STEEL BALL D5	4	
8	370242	SPRING HOLDER (A)	1	
9	370243	RETAINER SPRING	1	
10	370244	SPRING HOLDER (B)	1	
11	333255	STOPPER RING	1	
12	370240	BALL HOLDER	1	
13	370241	GRIP (B)	1	
14	998471	HEX. SOCKET HD. BOLT (W/FLANGE) M5 X 12	3	
15	370238	CYLINDER CASE COVER	1	
16	320803	RING	1	
17	337664	O-RING (S-35)	1	
18	991712	HEX. SOCKET HD. BOLT (W/FLANGE) M6 X 25	4	
19	370226	CYLINDER CASE	1	
20	956996	O-RING (1AS-60)	1	
21	337549	RETAINER DAMPER HOLDER	1	
22	337548	RETAINER DAMPER (B)	1	
23	337554	BIT LOCK	2	
24	370227	RETAINER SLEEVE	1	
25	324921	O-RING (C)	1	
26	370228	SECOND HAMMER	1	
27	370229	DAMPER WASHER	1	
28	370259	DAMPER	1	
29	370230	WEIGHT WASHER	1	
30	326662	DAMPER (C)	1	
31	370231	DAMPER HOLDER	1	
32	370232	CYLINDER HOLDER	1	
33	370233	CYLINDER	1	
34	370235	STOPPER RING	1	
35	370234	STRIKER	1	
36	325297	O-RING (I.D 27.2)	2	
37	324917	PISTON PIN	1	
38	324915	PISTON	1	
39	339049	CONNECTING ROD ASS'Y	1	INCLUD.40
40	335303	NEEDLE BEARING	1	
41	953174	HEX. HD. TAPPING SCREW D5 X 55	2	
* 42	340934	STATOR SENSOR PCB SET 100V-127V	1	
* 42	340885E	STATOR SENSOR PCB SET 220V-240V	1	
43	958915	WASHER (A)	1	
44	629VVM	BALL BEARING 629VVC2PS2L	1	
45	339910	SPACER	2	
46	986940	SEAL LOCK HEX. SOCKET HD. BOLT M6 X 45	4	
47	333263	DUST SEAL	1	
48	370002	TAIL COVER	1	
49	370251	HOUSING	1	

PARTS

H 45ME

ITEM NO.	CODE NO.	DESCRIPTION	NO. USED	REMARKS	
*	50	370249	CONTROLLER 100V-127V	1	
*	50	370250	CONTROLLER 220V-240V	1	
	51	370074	VINYL TUBE L50	1	
	52	370073	VINYL TUBE L35	1	
	53	991690	SEAL LOCK HEX. SOCKET HD. BOLT M5 X 12	2	
	54	991711	DISTANCE PIECE (B)	4	
	55	370258	HANDLE (A).(B) SET	1	INCLUD.56
	56	949890	PIN D3X20 (10 PCS.)	1	
	57	310124	HANDLE DAMPER	4	
	58	310123	TRANSATORY UNIT	1	
*	59	337585	FILTER PCB SET 100V-127V	1	
*	59	337586	FILTER PCB SET 220V-240V	1	
	60	338447	SPONGE (B)	1	
	61	370246	BACK COVER	1	
	62	994192	HEX. SOCKET HD. BOLT (W/FLANGE) M5 X 16	10	
	63	370253	HANDLE SHAFT	1	
	64	337591	BELLOWS	1	
	65	370254	TRIGGER	1	
	66	337587	SWITCH	1	
	67	305558	TAPPING SCREW (W/FLANGE) D5 X 25 (BLACK)	2	
	68	958308Z	PILLAR TERMINAL (A)	1	
*	69	940778	CORD ARMOR D10.7	1	
*	69	958049	CORD ARMOR D8.2	1	
	70	960266	CORD CLIP	1	
	71	984750	TAPPING SCREW (W/FLANGE) D4 X 16	2	
*	72	321537	CORD	1	(CORD ARMOR D10.7)
*	72	500424Z	CORD	1	(CORD ARMOR D8.2) FOR UAE,MAL
*	72	500465Z	CORD	1	(CORD ARMOR D10.7) FOR GBR (110V)
*	72	500446Z	CORD	1	(CORD ARMOR D10.7) FOR GBR (230V)
*	72	500235Z	CORD	1	(CORD ARMOR D8.2) FOR IND
*	72	500487Z	CORD	1	(CORD ARMOR D8.2) FOR BRA
*	72	500434Z	CORD	1	(CORD ARMOR D10.7) FOR MEX
	73		NAME PLATE	1	
	74	301653	TAPPING SCREW (W/FLANGE) D4 X 20 (BLACK)	3	
	75	333228	BOLT M8	1	
	76	333202	HANDLE HOLDER (B)	2	
	77	370247	HANDLE HOLDER	1	
	78	333201	GRIP	1	
	79	333199	SIDE HANDLE	1	
	80	940533	FEATHER KEY 3 X 3 X 10	1	
	81	370248	CRANK COVER	1	
	82	876433	CYLINDER O-RING (B) I.D 55.9	1	
	83	370225	CRANK SHAFT	1	
	84	948391	RETAINING RING FOR D40 HOLE	1	
	85	6203DD	BALL BEARING 6203DDCMPS2L	1	
	86	996363	O-RING (S-40)	1	
	87	321274	OIL SEAL (B)	1	
	88	370224	CRANK CASE	1	
	89	995396	VALVE	1	
	90	949422	WASHER M3 (10 PCS.)	1	

PARTS

H 45ME

ITEM NO.	CODE NO.	DESCRIPTION	NO. USED	REMARKS
91	370245	FELT	1	
92	983162	SEAL LOCK HEX. SOCKET HD. BOLT M4 X 12	2	
93	337532	FIRST GEAR	1	
94	939299	NEEDLE BEARING (M661)	1	
95	337581	PANEL	1	
96	370252	GEAR COVER	1	
97	6201DD	BALL BEARING 6201DDCMPS2L	1	
98	302429	DUST WASHER (B)	1	
99	337578	ROTOR	1	

STANDARD ACCESSORIES

ITEM NO.	CODE NO.	DESCRIPTION	NO. USED	REMARKS
501	313471	BULL POINT (SDS MAX) 280L	1	
502	337594	CASE (PLASTIC)	1	

OPTIONAL ACCESSORIES

ITEM NO.	CODE NO.	DESCRIPTION	NO. USED	REMARKS
601	981840	GREASE (A) FOR HAMMER.HAMMER DRILL (30G)	1	
602	308471	GREASE FOR HAMMER.HAMMER DRILL (70G)	1	
603	980927	GREASE FOR HAMMER.HAMMER DRILL (500G)	1	
604	313471	BULL POINT (SDS MAX) 280L	1	
605	313472	BULL POINT (SDS MAX) 400L	1	
606	313473	COLD CHISEL (SDS MAX) 280MM	1	
607	313474	COLD CHISEL (SDS MAX) 400MM	1	
608	313475	CUTTER (SDS MAX) W50X400L	1	
609	313476	SCOOP (SDS MAX) 400L	1	
610	313477	BUSHING TOOL (SDS MAX)	1	
611	313478	RAMMER (SDS MAX) 150MM X 150MM	1	
612	313479	SHANK (SDS MAX) FOR RAMMER,BUSHING TOOL	1	